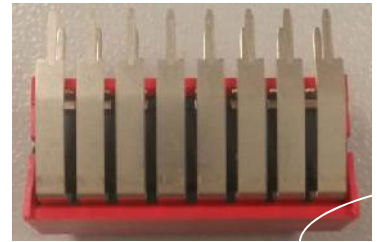
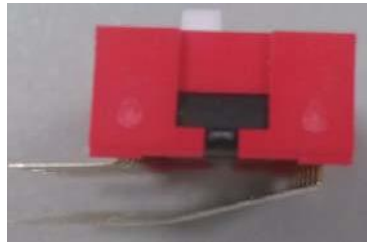
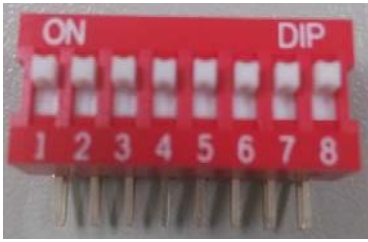
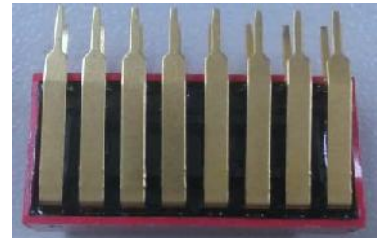


《NDA vs. DA appearance comparison》

NDA

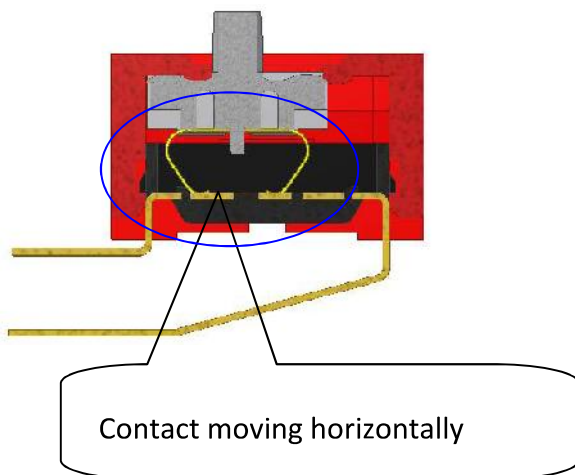


DA

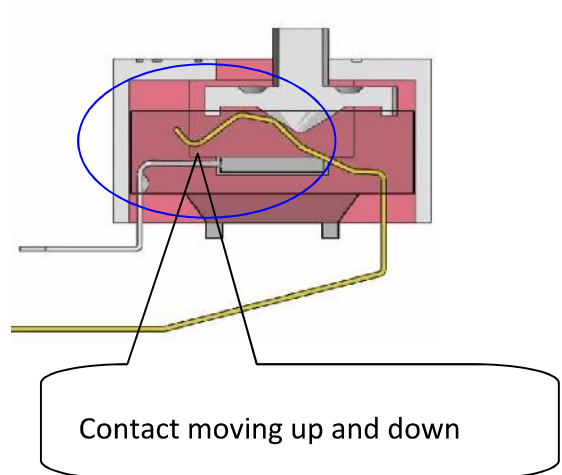


《NDA vs. DA Structure comparison》

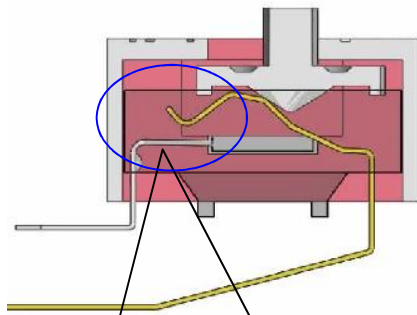
NDA



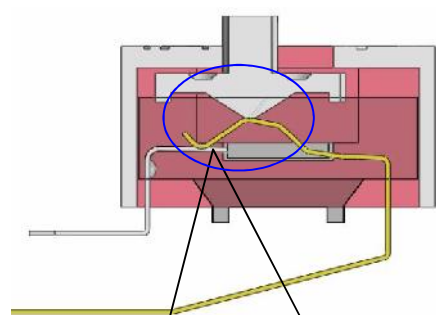
DA



DA

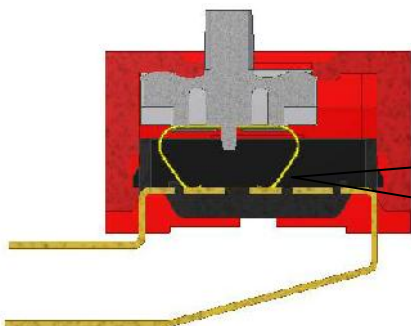


Suggest DA series to be soldered in OFF position.



Due to material characteristic, the mobile contact terminal could deform if DA is soldered in ON position.

NDA



The new contact structure of moving horizontally makes NDA available to be soldered both ON/OFF positions.