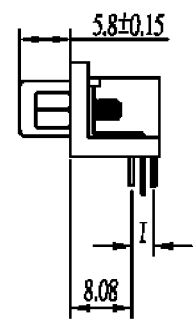
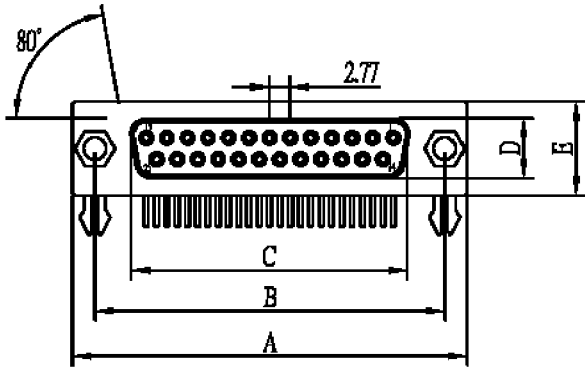
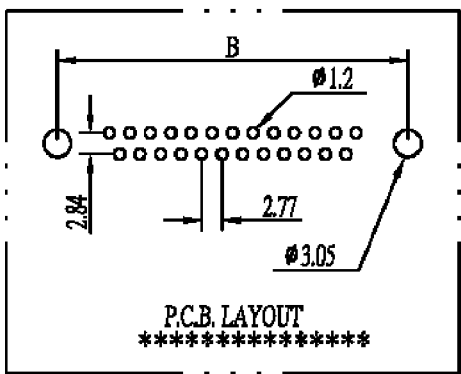
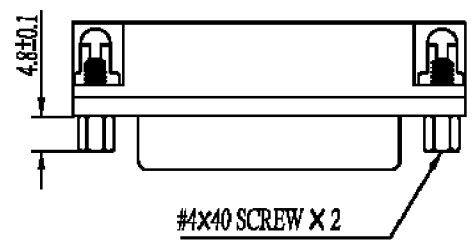
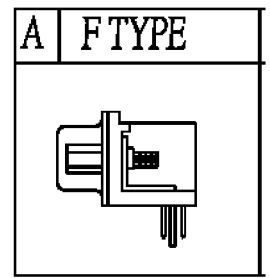


REV.	EON NO	LOCATIONS	DESCRIPTION	DATE	REVISER	APPO



- Note:
- Material:
 - Insulator: High temperature thermoplastic with g.f,UL94v-0
 - Contact: Copper alloy,t=0.20mm
 - Shell: Spcc,t=0.30mm
 - Specification:
 - Current rating: 1 A Max.
 - Dielectric withstanding voltage: 750 V(ac) for 1 min.
 - Contact resistance: 30 mW Max.
 - Insulation resistance: 1000 MW Min.
 - Total mating force: 7.0 Kgf Max.
 - Total unmating force: 1.5 Kgf Min.
 - Temperature range: -55°C~85°C



Industrivej 24
DK-7470 Karup
Tlf. +45 9710 1188
mail@cypax.com
www.cypax.com

PART NO.	A±0.25	B±0.2	C±0.2	D±0.2	E±0.2	I±0.1
YFR09S	30.81	24.99	16.33	7.90	12.55	2.84
YFR15S	39.25	33.32	24.66	7.90	12.55	2.84
YFR25S	53.04	47.04	38.38	7.90	12.55	2.84
YFR37S	69.32	63.50	54.84	7.90	12.55	2.84

8	Back-shell			
7	Front-shell			
6	Clip			No finish
5	Contact			Selective Au plated on mating area
4	Contact			
3	Contact			
2	Contact			
1	Housing			Black
No.	Name	Qty	Part No.	Finish

PART NO:		MATERIAL:		SHALLIN ELECTRONICS CO., LTD.		
MODEL NO:		FINISH:				
UNIT: mm	SIZE:	COLOR:		PART NAME:		
TOLERANCE UNSPECIFIED		DR: <i>Yuhong</i>		D-SUB RIGHT ANGLE P.B,C TYPE (F)		
.K ±0.3	.JK ±0.20	CHK: <i>Nick</i>		DWG NO: YFRXXS		REV: AO
.MK ±0.100	ANG. ±1°	APP: <i>Karl</i>		SCALE: 1:1	SHEET: 1 of 1	