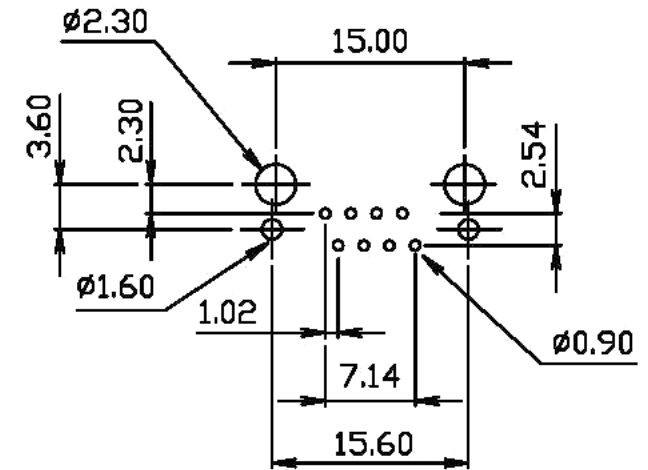
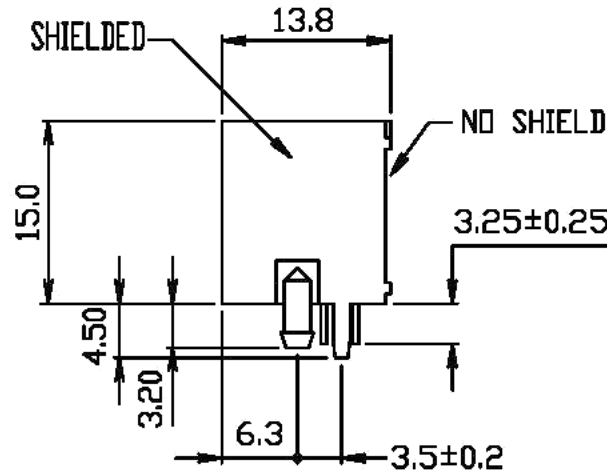
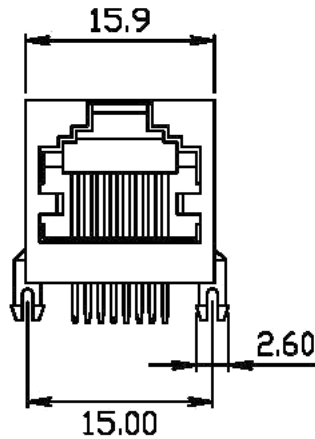


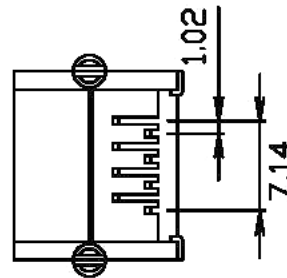
MATERIAL: HOUSING-PBT POLYESTER UL94V-0
 MIXED GLASS FIBER.
 STANDARD COLOR-BLACK.
 CONTACTS-0.45mm DIAMETER PHOS-BRONZE
 PLATED WITH HARD GOLD.
 SHIELD-0.25mm THICK COPPER ALLOY,
 PLATED WITH TIN/LEAD.
 CAVITY CONFIRMS TO FCC RULES AND REGULATIONS
 PART68,SUBPART F.



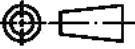
PC Board Layout

cypax

Industrivej 24
 DK-7470 Karup
 Tlf. +45 9710 1188
 mail@cypax.com
 www.cypax.com



SHALLIN ELECTRONICS CO., LTD.

DO NOT SCALE DRAWING	TOLERANCES UNLESS OTHERWISE NOTED	INCH	MM	DR. M.L.HUANG	DATE FEB-01 '00	
 THIRD ANGLE PROJECTION	LINEAR $\frac{\text{MM}}{\text{INCH}}$	$00 \pm .01$ $000 \pm .005$ $0000 \pm .002$	0.0 ± 0.25 0.00 ± 0.13 0.000 ± 0.05	CK'D M.CHANG	FEB-01 '00	TITLE 8POSITION SHIELDED MINI LOW PROFILE, SIDE ENTRY PCB JACK
MM INCH	ANGLE $\pm 0^{\circ} 30'$	RADII	$+ 0.40$ $- 0.15$	APP'D		SCALE SIZE DWG.NO. X98139SA