

**Tyco / Electronics**  
**Raychem Circuit Protection**  
 308 Constitution Drive  
 Menlo Park, CA 94025-1164  
 Phone: 800-227-4856  
 Fax: 800-227-4866

**PolySwitch®**  
**PTC Devices**  
 Overcurrent Protection Device

**PRODUCT: RUEF300**

DOCUMENT: SCD 25175  
 PCN: D55663  
 REV LETTER: B  
 REV DATE: JUNE 24, 2004  
 PAGE NO.: 1 OF 1

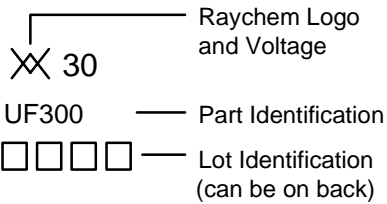
**Specification Status: RELEASED**

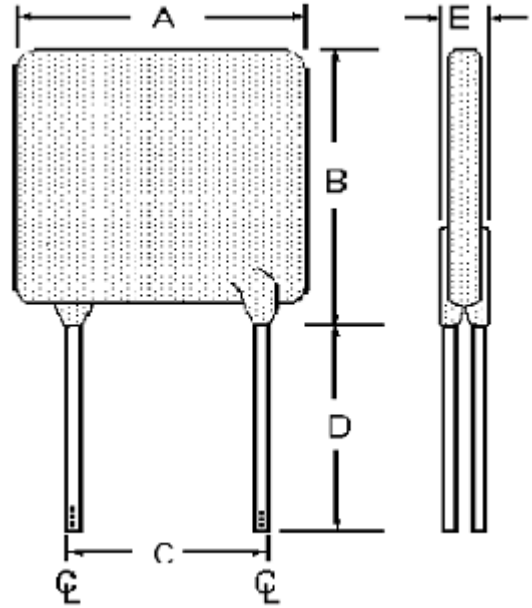
**Maximum Electrical Rating at 20°C**

**30 V<sub>DC</sub> / 100 A<sub>DC</sub>**  
**30 V<sub>AC</sub> / 70 A<sub>RMS</sub>**

Insulating Material:  
 Cured, Flame Retardant Epoxy Polymer  
 meets UL94 V-0 Requirements

Lead Material:  
 20 AWG Tin Plated Copper

Marking:  




**TABLE I. DIMENSIONS:**

	A		B		C		D		E	
	MIN	MAX	MIN	MAX	MIN	MAX	MIN	MAX	MIN	MAX
mm:	--	11.4	--	16.5	4.3	5.8	7.6	--	--	3.0
in*:	--	(0.45)	--	(0.65)	(0.17)	(0.23)	(0.30)	--	--	(0.12)

\*Rounded off approximation

**TABLE II. PERFORMANCE RATINGS:**

I HOLD	CURRENT RATINGS		TIME TO TRIP	RESISTANCE		ONE-HOUR POST-TRIP RESISTANCE STANDARD TRIP	NOMINAL TRIPPED POWER DISSIPATION
AMPS 20°C HOLD	AMPS AT 20°C HOLD	AMPS AT 20°C TRIP	SECONDS AT 20°C, 15.0A MAX	OHMS AT 20.0° C		OHMS AT 20°C MAX	WATTS AT 20°C
				MIN	MAX		
3.00	3.00	6.00	10.8	0.02	0.05	0.08	2.0

Recognitions: UL, CSA, TUV  
 Reference Documents: PS300  
 Precedence: This specification takes precedence over documents referenced herein.  
 Effectivity: Reference documents shall be the issue in effect on the date of invitation for bid.  
 CAUTION: Operation beyond the rated voltage or current may result in rupture, electrical arcing or flame.