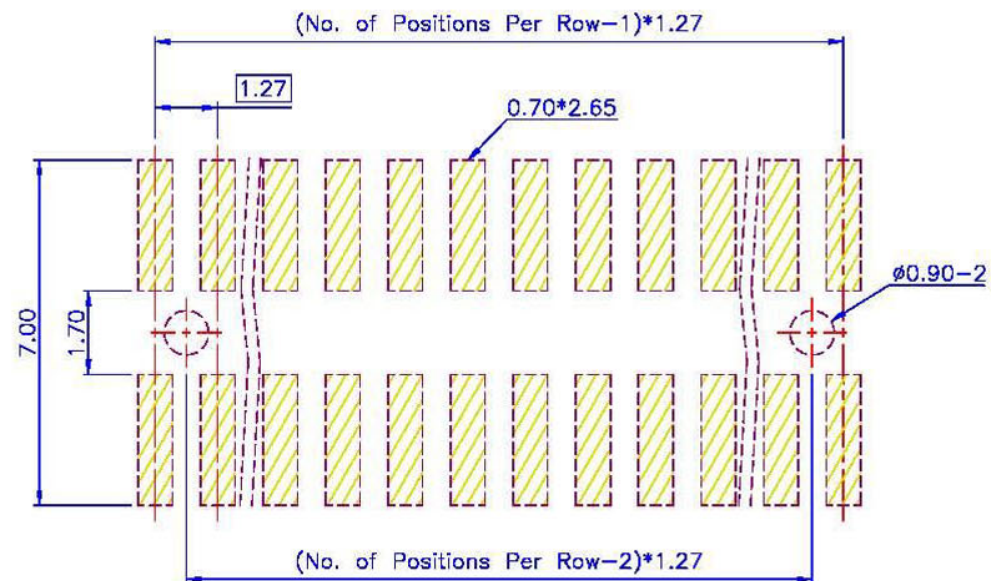
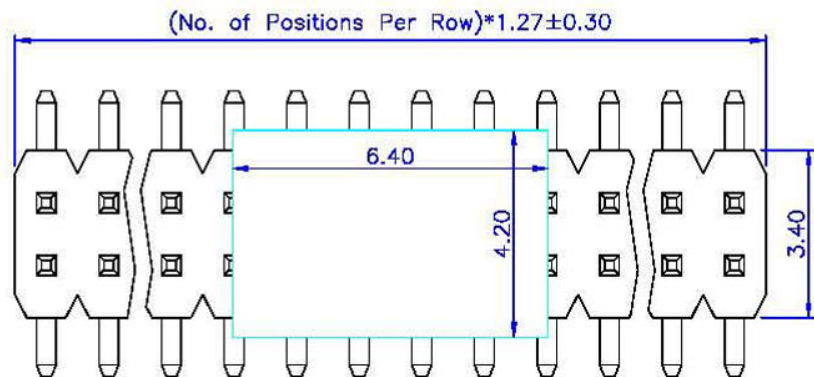
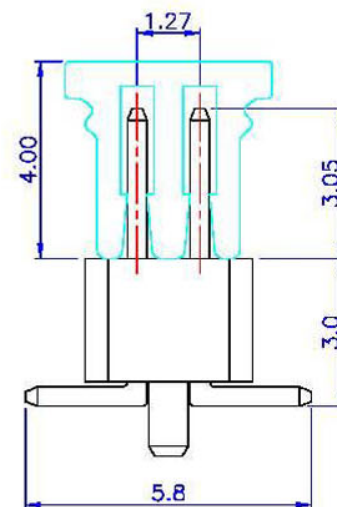
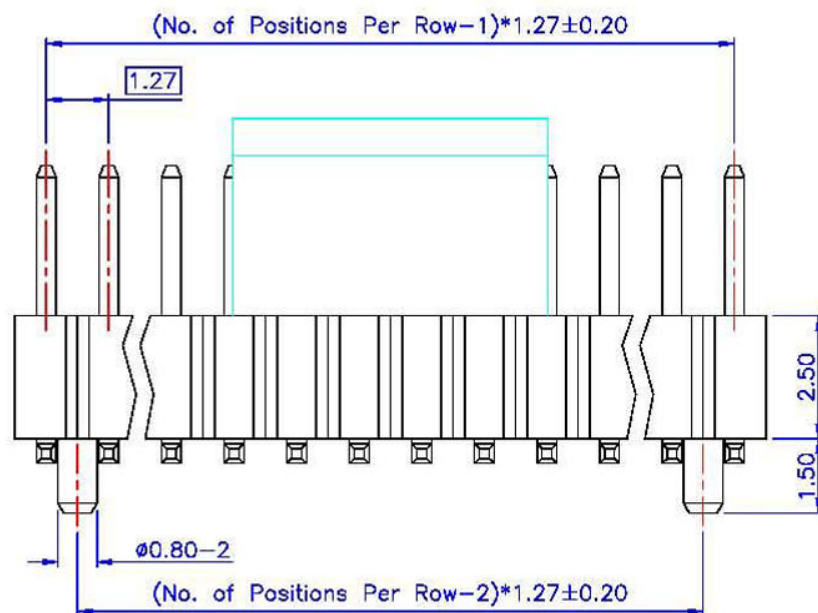


Rev.	Date	Description
A	2009/07/07	New Drawing



PCB Layout
(Top View)



Order Information

232412 **

No. of Positions Per Row

232412xx

Material and Finish

- Housing: NY6T (UL94V-0), Black.
- Terminal: Sq. 0.40mm Copper Alloy, Gold Plating.
- Cap: Nylon 6T (UL94V-0), Black.

Electrical Characteristics

- Current Rating: 1.0 Amp. Max.
- Dielectric Withstand Voltage: 600V AC RMS for 60Seconds.
- Insulation Resistance: 1000M Ohms Min. at 500V DC.

Mechanical Characteristics

- Operating Temperature: -55°C ~ +105°C

Drawn	Check	Unit	Drawn By	Checked By	Approved By
0.0	±0.30				
0.00	±0.20				
0.000	±0.10				
Drawing No. 232412XX					

1.27mm Post Header
PCB Surface Mount Type
Dual Rows, with Post (Tube + Cap)