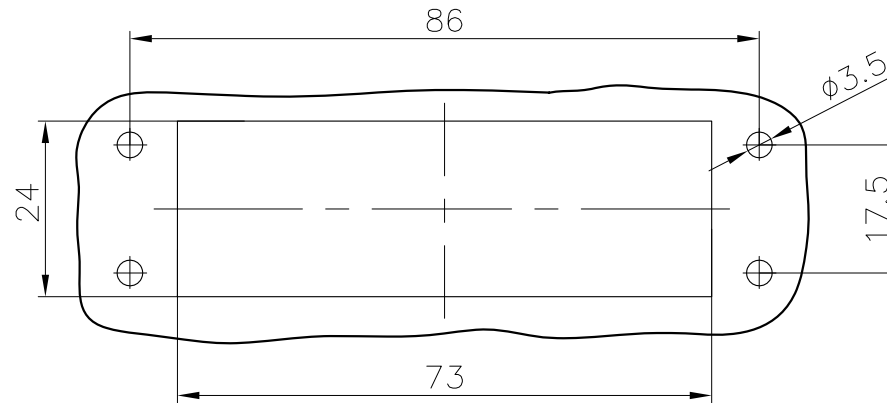
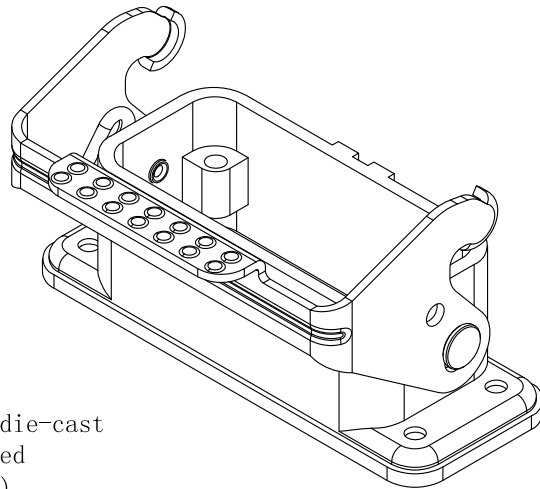
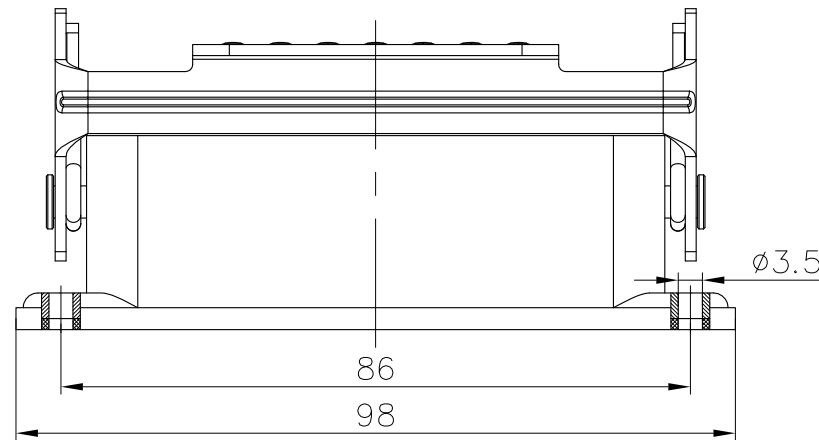
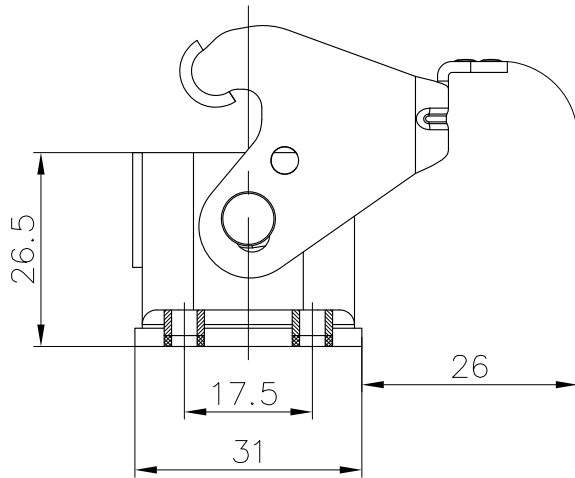



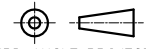
REVISION RECORD				
REV	ECN	DESCRIPTION	DRFT	DATE



Panel cut out

Housings Feature

- 01. Material: Aluminium die-cast
- 02. Surface: Powder-coated
- 03. Color: grey (RAL 7037)
- 04. Material: Metal (Lever)
- 05. Limiting temperatures: $-40^{\circ}\text{C} \sim +125^{\circ}\text{C}$
- 06. Housings sealing: NBR
- 07. Flammability acc to UL94:V0
- 08. Degree of protection acc. to EN60529 for coupled connector: IP65
- 09. Rohs Compliance

DETACHED LISTS	PART NO.:		 宁波高松电子有限公司 NINGBO DEGSON ELECTRICAL CO., LTD		
	APPD:		NAME:		
	CHKD:		D16A-BK-1L		
	DRFT: Mr.yang2016.08.15		TITLE: CUSTOMER DRAWING	REV	DO-1
 THIRD ANGLE PROJECTION		DRAWING NO.:		SHEET	1/1
		MM (INCH)		DO NOT SCALE DRAWING	SCALE