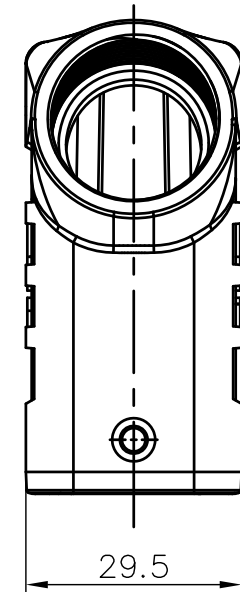
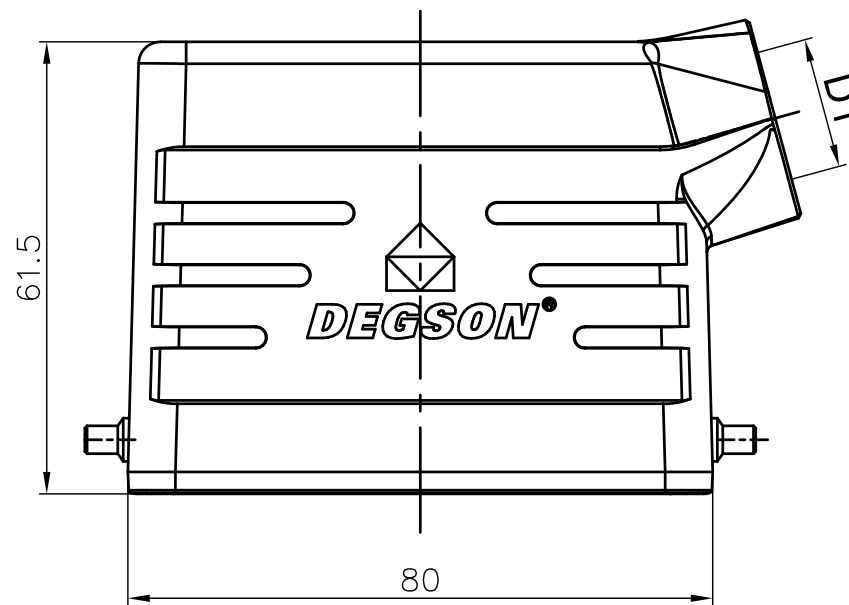
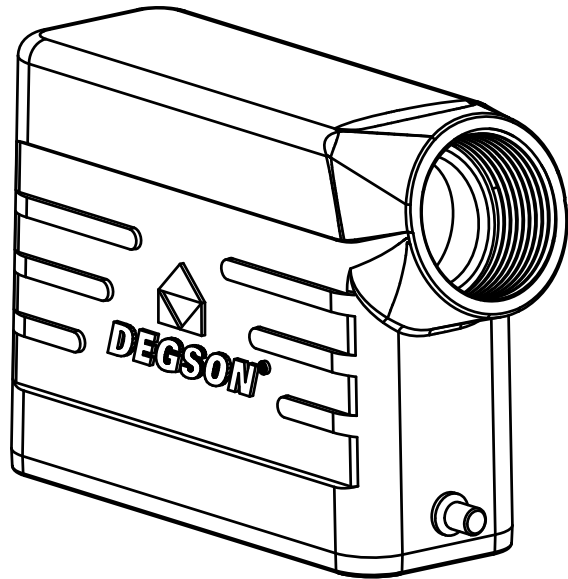


TYPE	Thread(D1)	Selection
D16A-SE-2g-M20	M20	
D16A-SE-2g-PG16	PG16	

REVISION RECORD				
REV	ECN	DESCRIPTION	DRFT	DATE



Hoods Feature

- 01. Material: Aluminium die-cast
- 02. Surface: Powder-coated
- 03. Color: grey (RAL 7037)
- 04. Limiting temperatures: -40°C ~ +125°C
- 05. Sealing: NBR
- 06. Flammability acc to UL94:V0
- 07. Degree of protection acc. to EN60529 for coupled connector: IP65
- 08. Rohs Compliance

DETACHED LISTS	PART NO.:		宁波高松电子有限公司 NINGBO DEGSON ELECTRICAL CO., LTD		
	APPD: Huang JS 2020.05.08		NAME: D16A-SE-2g-M/PG		
	CHKD: Yang SH 2020.05.08		TITLE: CUSTOMER DRAWING		
	DRFT: Lu JK 2020.05.08		REV	DO	
THIRD ANGLE PROJECTION		DRAWING NO.:		SHEET	1/1
		MM (INCH)	DO NOT SCALE DRAWING	SCALE	1:1