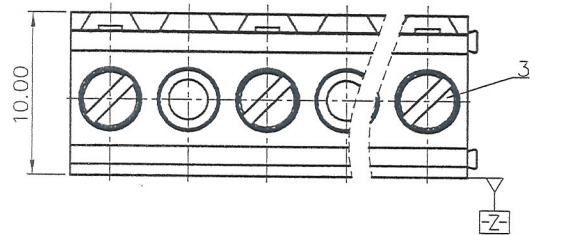


REVISION RECORD				
REV	ECN	DESCRIPTION	DRFT	DATE



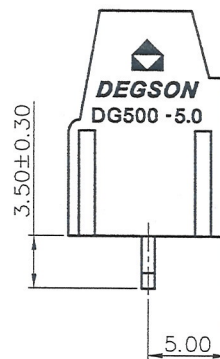
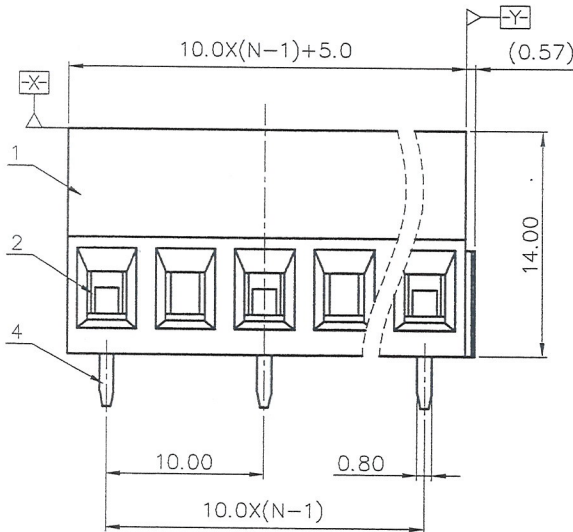
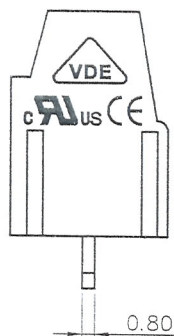
NOTES1:
 UL Standard
 1.Rated voltage/current : 300V / 20A
 2.Torque value : M2.5 , 3.54Lb.in
 3.Wire range : 30~12AWG

IEC Standard
 1.Rated voltage/current : 250V / 18A
 2.Torque value : M2.5 , 0.4N·m
 3.Wire range : 1.0~2.5mm²

NOTES2:
 1.Dimension shall be interpreted per ASME Y14.5-2009
 2.Pitch : 10.00mm, Poles : N=02~XXP
 3.Stripping length : 6~7mm
 4.Withstanding voltage : AC2000V/1Min
 5.Operating temperature: -40°C~+105°C
 6.Undimensioned tolerances:

Pitch range in mm		Nominal dimension range in mm				-	∩	∇
TO	Over TO	Over TO	TO	Over TO	Over TO	Over TO	0.1/10	
6	10	24	30	60	100	150	<	
±0.15	±0.20	±0.30	±0.30	±0.50	±0.70	±1.00	±2'	

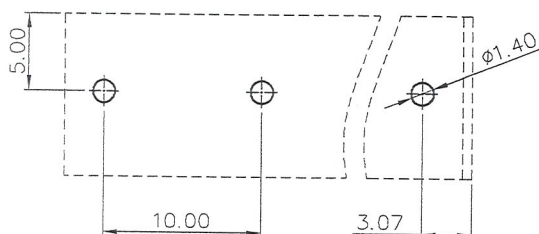
7.RoHS Compliance



DG500 - 5.0 - XXP - 2Y - 00A (H)
 (Series No.)(Pitch) (Poles)(Double Pitch) (Color)
 (RoHS)
 00A-(Standard)



- 1.(Grey)
- 2.(Blue)
- 3.(Black)
- 4.(Green)
- 5.(Orange)
- 6.(Red)
- 7.(Transparent)
- 8.(Yellow)
- 9.(White)



PCB LAYOUT

ITEM	NAME OF PART	MATERIAL	NOTES
4	Pin Header	Copper Alloy	Sn Plated
3	Screw	Steel	M2.5/Zn Plated
2	Cage	Copper Alloy	M2.5/Ni Plated
1	Housing	PA66	UL94V-0

PART NO.: /		宁波高松电子有限公司 NINGBO DEGSON ELECTRICAL CO., LTD	
APPD: <i>Jan 2018.3.15</i>	NAME: DG500-5.0-XXP-2Y-00A(H)	TITLE: CUSTOMER DRAWING	
CHKD: <i>July 2 2018.3.15</i>	DRFT: LXX 2017.12.22	DRAWING NO.: DG500-5.0-C06	REV TO
THIRD ANGLE PROJECTION		DO NOT SCALE DRAWING	SCALE 1:1