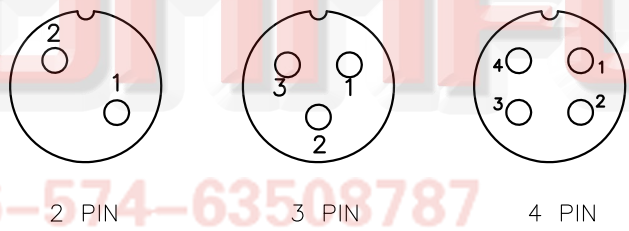
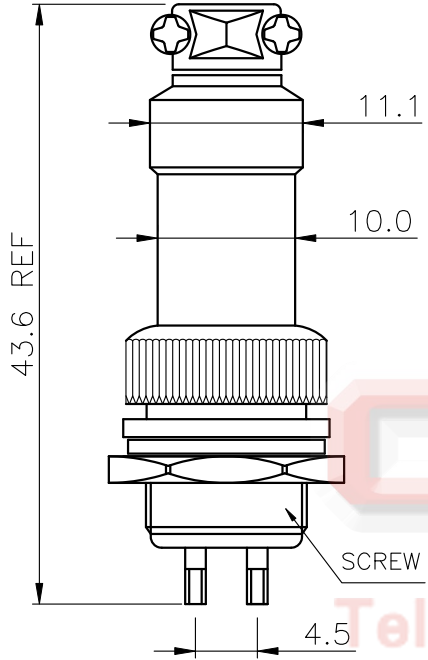


REV.	DESCRIPTION	DRAWN	CHECKED	APPROVED
A	NEW RELEASE	LL 07/18/06'		LJC 07/18/06'
B	DRAWING UPDATE	JLZ 06/13/16'		

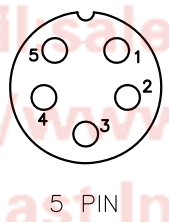
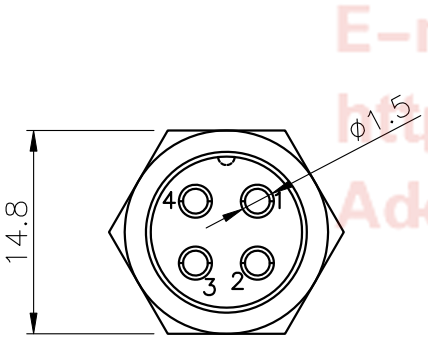


NOTES:

- SPECIFICATION
 - CURRENT RATING: 5A Max.
 - DIELECTRIC WITH STANDING VOLTAGE: 500V(AC)
 - CONTACT RESISTANCE: 100mΩ Max.
 - INSULATION RESISTANCE: 1000MΩ(DC)Min
- PRODUCT NUMBER CODE:

DS1110-01 - X X X

- CONTACT PLATING
6: TIN
- COLOR OF HOUSING:
W: WHITE
B: BLACK
- No. OF CONTACTS
2: 2pin 3: 3pin
4: 4pin 5: 5pin



Tel:86-574-63508787
 Fax:86-574-63510817
 E-mail:sales@connfly.com
 http://www.connfly.com
 Add:East Industry Zone KuangYan
 Town Cixi Ningbo China
 P.C:315333

GENERAL TOLERANCE		ANGLE TOLERANCE		PROJECTION		TITLE	MICRO JACK CONNECTOR	
X.	±0.60	X.	±5°	UNITS	mm	SERIES	DS1110-01 SERIES	
.X	±0.38	.X	±3°	SHEET SIZE	A4			
.XX	±0.25	.XX	±2°					
DRAWING TYPE		CUSTOMER			晨翔电子有限公司 CONNFLY CONNFLY ELECTRONIC CO. LTD			
SCALE		1:1	SHEET 1 OF 1					
DRAWING NO.		C-DS1110-01-XXX-B						