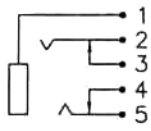
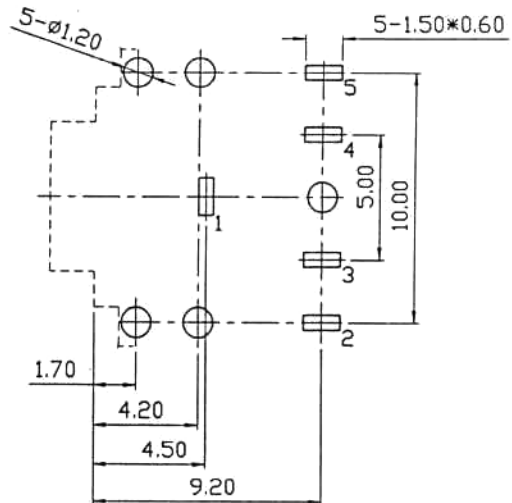
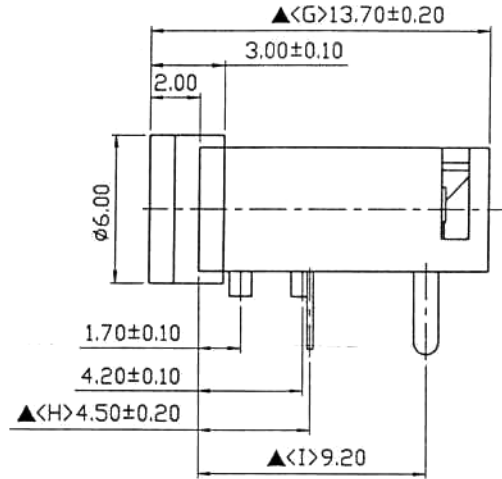
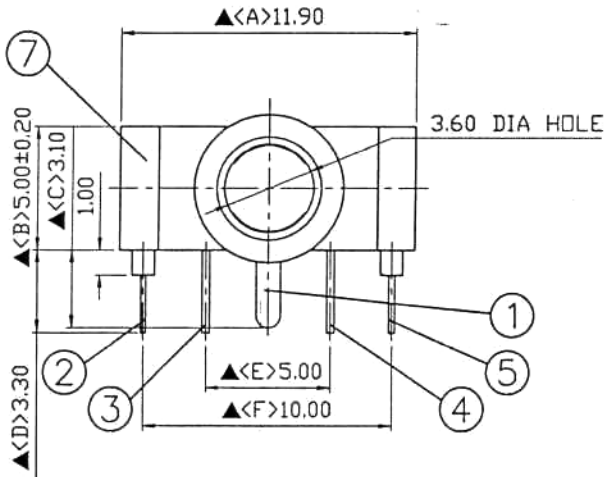
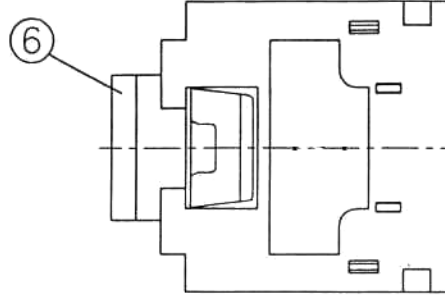


SCHEMATIC



MODEL NO

U



Pin Hole Layout
(Jack Bottom View)

SPECIFICATIONS:

Contact Resistance : $30m\Omega$ max
 Insulation Resistance : $100M\Omega$ min. at DC 500V
 Dielectric Withstand Voltage : AC 500V for one minute

Remark: ▲: The Most Important Dimension

7	Housing	PBT	1	Black Color
6	Barrel	Brass	1	Nickel Plated
5	Tip Spring	0.25T TicuR1-M-EH	1	Silver Plated
4	Break Terminal	0.3T Brass	1	Silver Plated
3	Break Terminal	0.3T Brass	1	Silver Plated
2	Ring Spring	0.2T TicuR1-M-EH	1	Silver Plated
1	Earth Terminal	0.25T Phosphor Bronze	1	Silver Plated
NO	Descricion	Material	Q'TY	Finish

SHALLIN ELECTRONICS CO., LTD.

DATE

DWN

CHKD

APVD

MANAGER

03.14.2002

熊惠

[Handwritten signature]

[Handwritten signature]

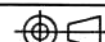
[Handwritten signature]

PART NAME: 3.5 ϕ PHONE JACK

PART NUMBER: K3610D

TOLERANCE: $\pm 0.3mm$ UNLESS OTHERWISE SPECIFIED

UNIT: mm



SCALE: 1/1

VERSION: 1.0

NI-3-19