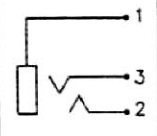


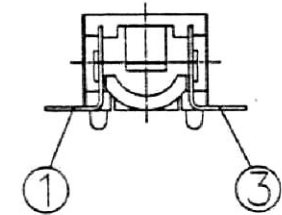
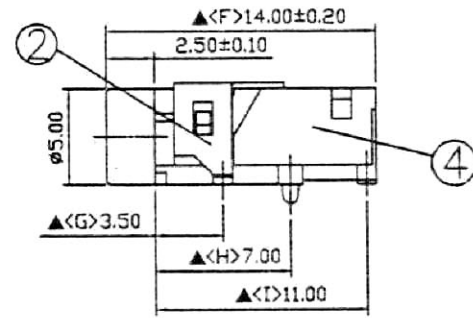
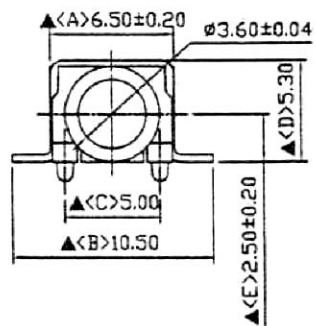
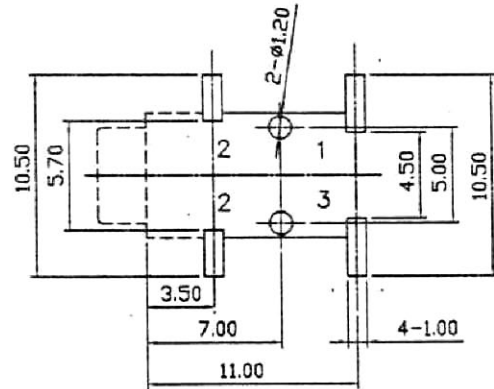
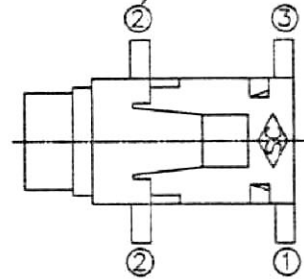
SCHEMATIC



cypax

Industrivej 24
DK-7470 Karup
Tlf. +45 9710 1188
mail@cypax.com
www.cypax.com

TERMINAL NUMBER



4.	Housing	PA9T	1	Black Color
3.	Ring Spring	0.2T Phosphor Bronze	1	Silver Plated
2.	Tip Spring	0.4T Phosphor Bronze	1	Silver Plated
1.	Earth Terminal	0.2T Phosphor Bronze	1	Silver Plated
NO.	Description	Material	QTY	Finish



SHALLIN ELECTRONIC CO., LTD.	DATE	DWN	CHKD	APVD	MANAGER
	12.06.2003	陳麗群	<i>[Signature]</i>	<i>[Signature]</i>	<i>[Signature]</i>

PART NAME : 3.5φ PHONE JACK	PART NUMBER: K36406	VERSION: 2.0
TOLERANCE : ±0.3mm UNLESS OTHERWISE SPECIFIED	UNIT: mm	SCALE: 1/1

SPECIFICATIONS:
See "Details of Environment-Related Substances"
Contact Resistance : 30mΩ max
Insulation Resistance : 100MΩ min. at DC 500V
Dielectric Withstand Voltage : AC 500V for one minute
Remark: ▲: The Most Important Dimension