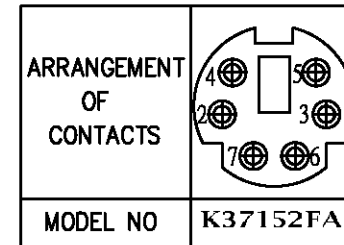
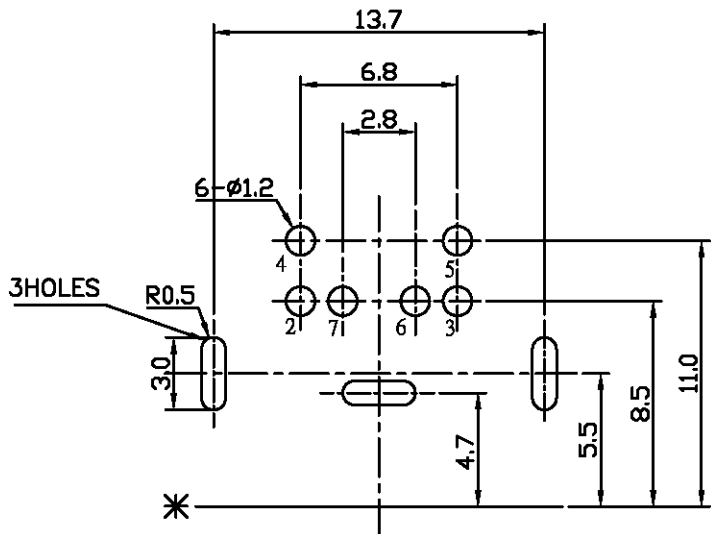
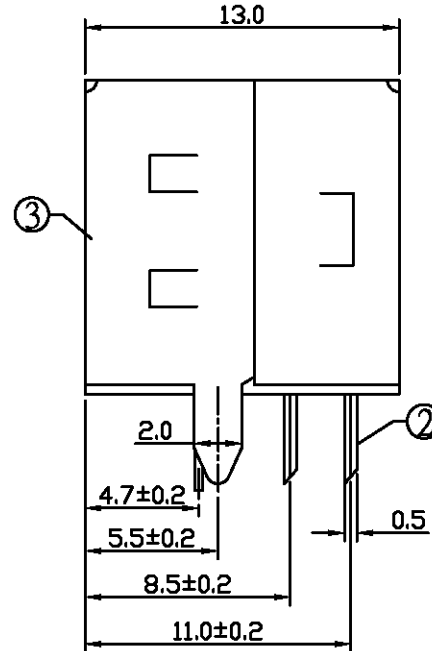
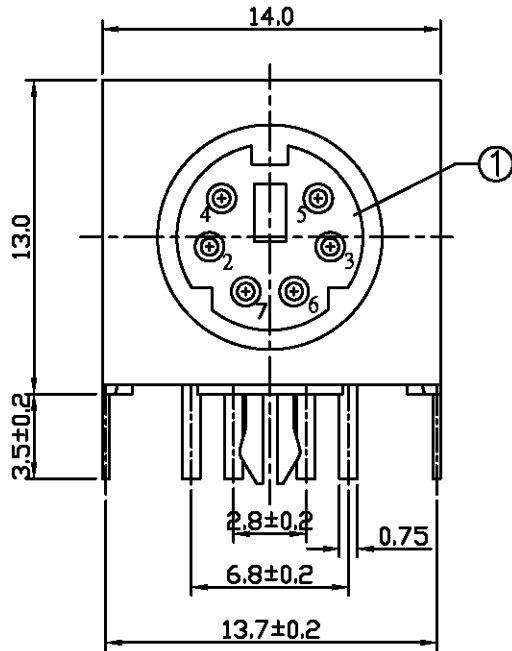


* REVISIONS				
LTR	DESCRIPTION	DATE	REVISED	APPROVED



LEAD FREE

3	COAT	1	C2680	MB:Cu Cu/Sn PLATED
2	CONTACT FOOT	6	C5191	MB:Cu Ag PLATED
1	HOUSING	1	PBT 4815	UL-94V0(BLACK)

LTR	PART NAME	QTY	MATERIAL	REMARK
DWN	ANJOU	DATE	2008.05.22	3RD ANGLE PROJECTION
CHKD	ANJOU	DATE	2008.05.22	
APVD	GIEVEN	DATE	2008.05.22	UNIT: mm
SHALLIN ELECTRONICS CO., LTD.				DWN.NO. K37152FA
				001

T:1.6 Dimensions of PC board holes

Tolerance : ±0.1(Printed-top view)

UNLESS OTHERWISE SPECIFIED, TOLERANCE ON DECIMAL: ±0.3