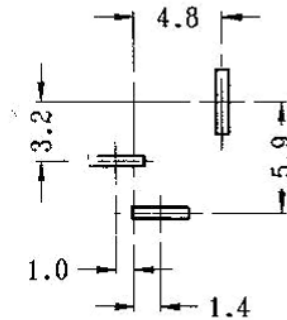
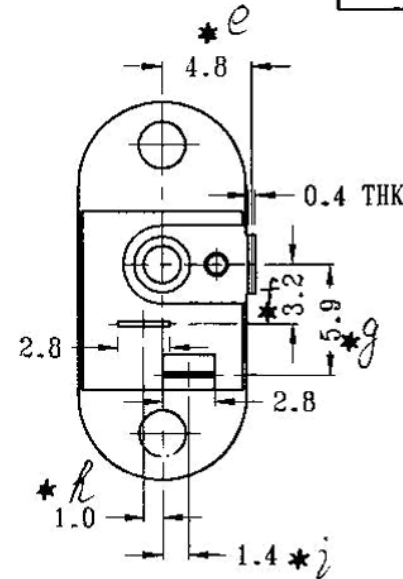
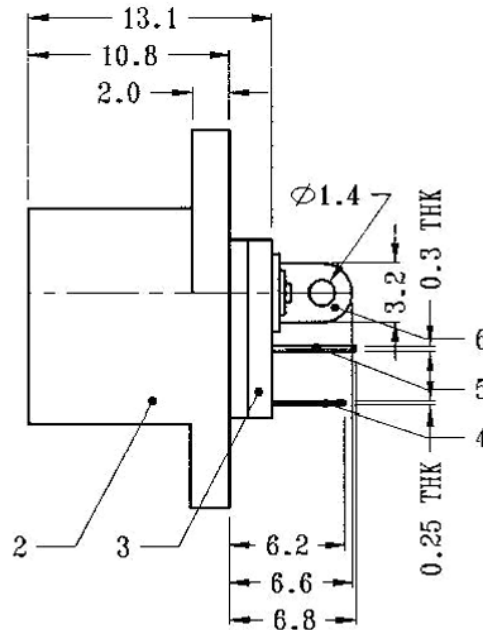
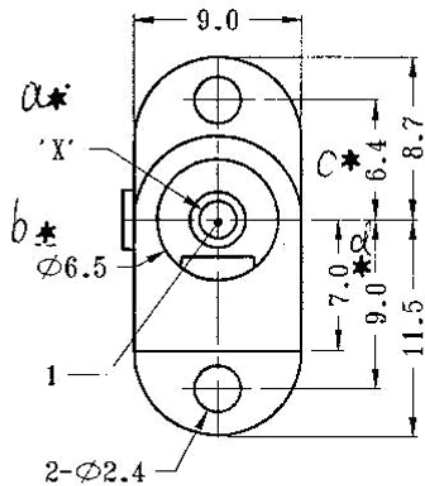


SCHEMATIC



P.C.B LAYOUT

DIA. OF PIN'X'B=2.5 MM
DIA. OF PIN'X'A=2.0 MM

DIA. OF PIN'X'B=2.5 MM
DIA. OF PIN'X'A=2.0 MM

SHALLIN ELECTRONICS CO., LTD.

TITLE : DC POWER JACK

NEW MODEL NO :

MODEL : K374A/B

9				
8				
7				
6	CONTACT	BRASS STRIP	1	Ag PLATED OVER Ni PLATED
5	TERMINAL	BRASS STRIP	1	Ag PLATED OVER Ni PLATED
4	SPRING TERMINAL	PBS STRIP	1	Ag PLATED OVER Ni PLATED
3	TERMINAL BASE	PC	1	BLACK
2	CASE	PC	1	BLACK
1	PLUG PIN	BRASS	1	Ni PLATED
NO.	PART NAME	MATERIAL	QTY.	FINISHING

UNIT : MM	DWN.	謝勇勤	19-5-99	GENERAL TOLERANCE
SCALE : 5 : 2	CHK'D	朱付祥	19-5-99	WITHIN 1.5mm±0.1mm
LEVEL 1	REV R1	APPD.	19/5/99	OVER 1.5mm±0.2mm