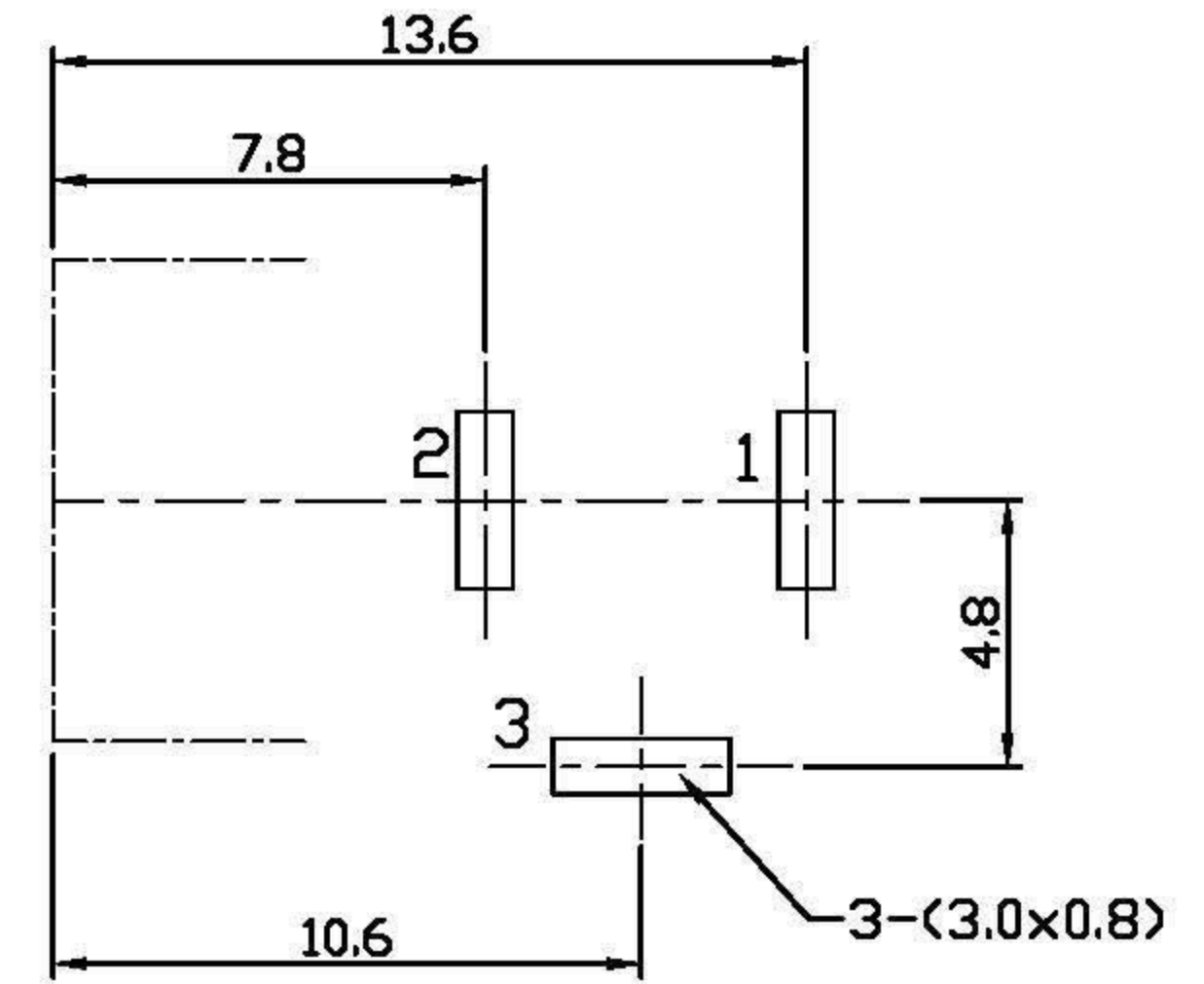
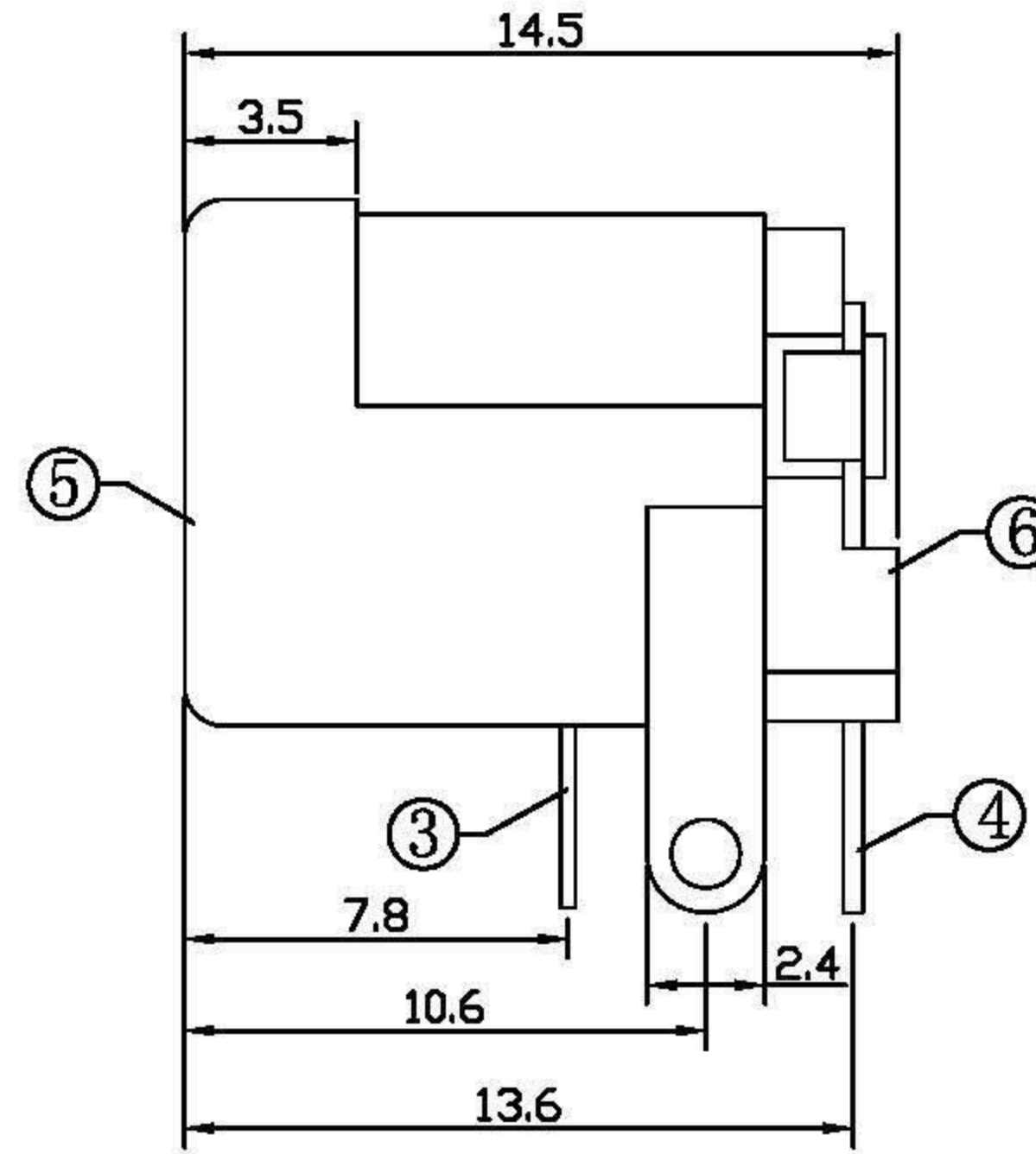
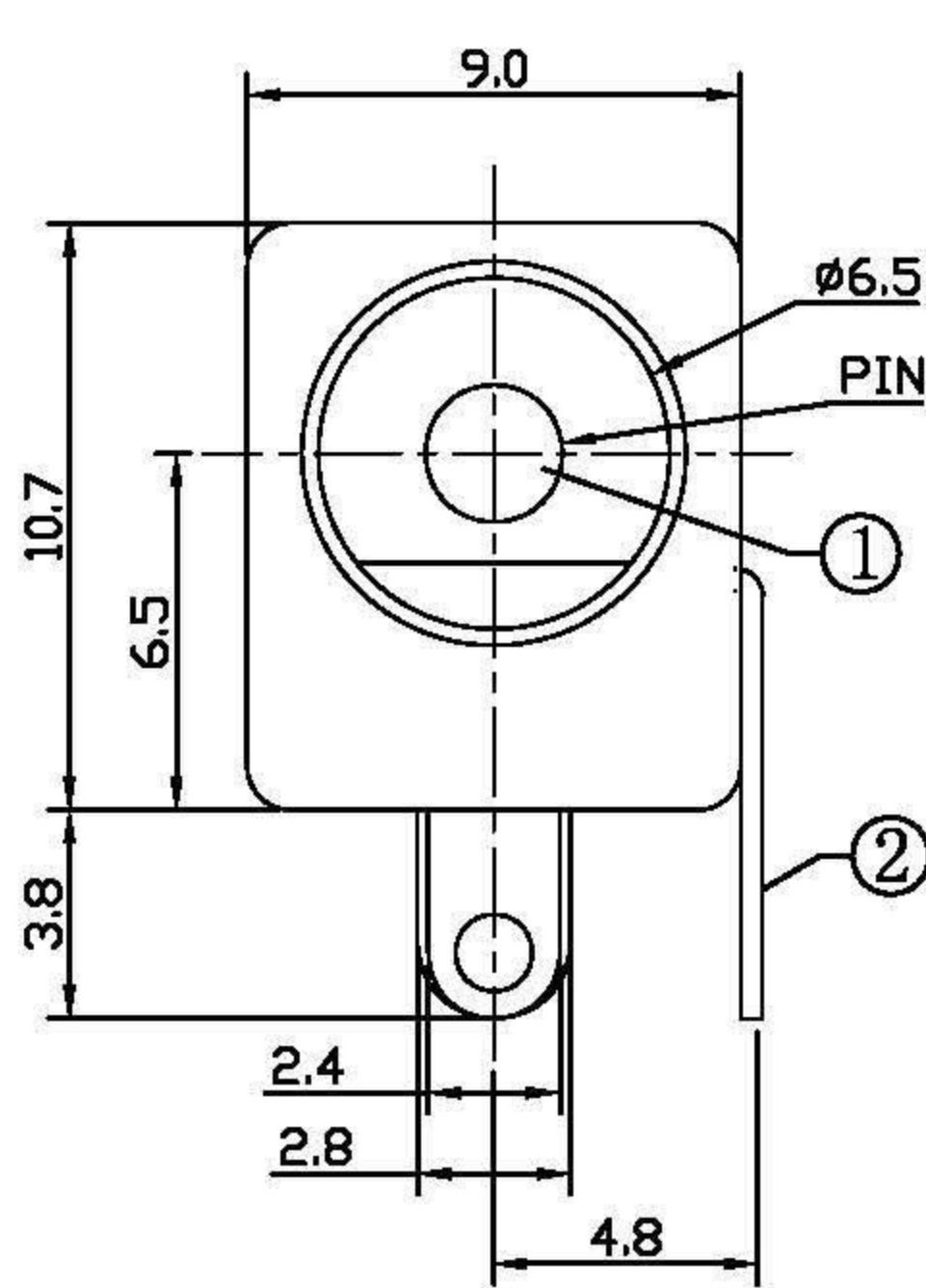


* REVISIONS

LTR	DESCRIPTION	DATE	REVISED	APPROVED



T:1.6 Dimensions of PC board holes
Tolerance : ±0.05(Printed-top view)

CAT. NO.	PIN	SCHEMATIC
K375A	∅2.0	

LEAD FREE

6	COVER	1	PBT 4815	UL-94V0(BLACK)
5	HOUSING	1	PBT 4815	UL-94V0(BLACK)
4	FLAT PIECE	1	C2680 t=0.4	Sn PLATED
3	SPRING	1	C5191 t=0.3	Sn PLATED
2	CURVE PIECE	1	C2680 t=0.4	Sn PLATED
1	PIN	1	H59(COPPER ALLOY)	Ni PLATED

LTR	PART NAME	QTY	MATERIAL	REMARK
DWN	JON	DATE	2013.05.31	3RD ANGLE PROJECTION NAME DC POWER JACK CAT. NO. K375A
CHKD	JON	DATE	2013.05.31	
APVD	ELVIS	DATE	2013.05.31	

UNLESS OTHERWISE SPECIFIED, TOLERANCE ON DECIMAL: ±0.3

Shallin Electronics Co., Ltd.

DWN.NO.

001