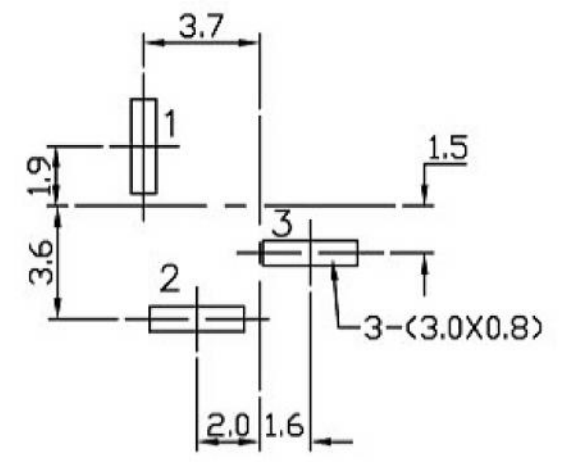
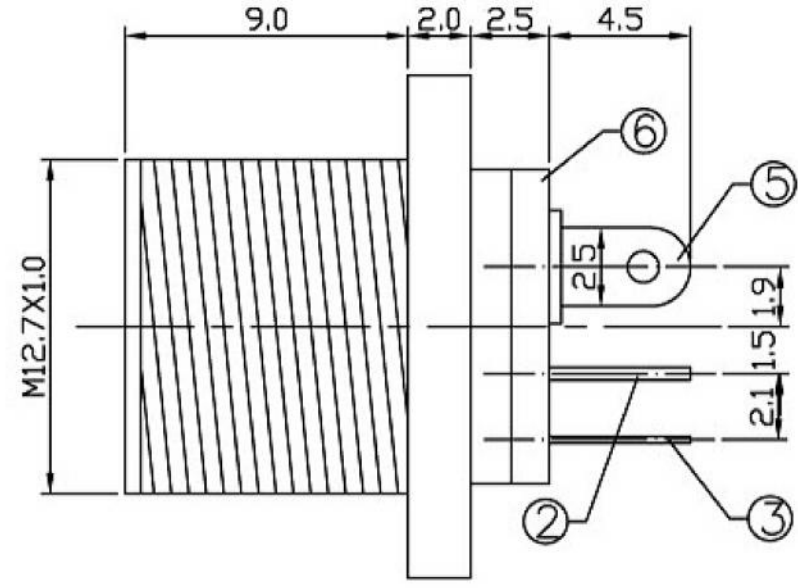
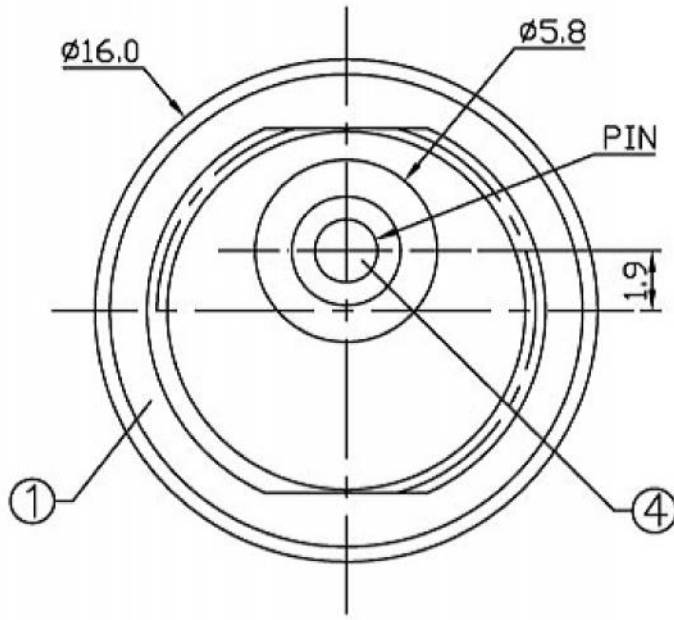
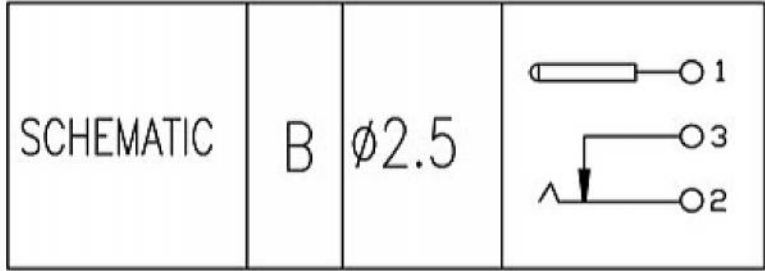


		* REVISIONS		
LTR	DESCRIPTION	DATE	REVISED	APPROVED



T:1.6 Dimensions of PC board holes
Tolerance : ±0.1(Printed-top view)



UNLESS OTHERWISE SPECIFIED, TOLERANCE ON DECIMAL: ±0.3

LEAD FREE

LTR	PART NAME	QTY	MATERIAL	REMARK
6	COVER	1	PF	
5	CONTACT FOOT	1	C2680	MB:Cu Sn PLATED
4	PIN	1	C2680	MB:Cu Ni PLATED
3	SPRING	1	SUS 301	MB:Cu Sn PLATED
2	FLAT PIECE	1	C2680	MB:Cu Sn PLATED
1	HOUSING	1	PBT 4815	UL-94V0(BLACK)

LTR	PART NAME	QTY	MATERIAL	REMARK
DWN	HU LUN	DATE	2006.01.13	3RD ANGLE PROJECTION
CHKD	GAO WEI	DATE	2006.01.13	
APVD	JACKY	DATE	2006.01.13	

Shallin Electronics Co., Ltd.				NAME	DC POWER JACK
				CAT. NO.	K375K
				DWN.NO.	001