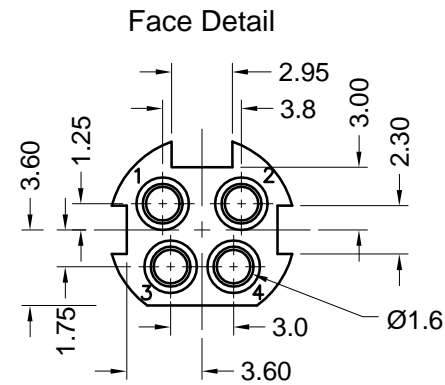


Recommended PCB Layout  
(Bottom View)



**Material and Finish**

Inner Shield: copper alloy,  
tin plated

Outer Shield: steel, tin plated

Body: PBT thermoplastic  
UL94V-0 rated  
color - black

Contacts: brass, tin plated

**Electrical Characteristics**

Contact Rating:  
7.5A max. @ 20V DC

Insulation Resistance:  
50 Megohms min. at 250V DC

Dielectric Strength:  
250 V AC rms for 1 minute

Contact Resistance:  
50 milliohms max.

Tolerances
X.X ± 0.25
X.XX ± 0.15
Unless Stated Otherwise



REVISION	DATE	DESCRIPTION	DRAWN BY	CHECKED BY	UNITS
A5	12/13/00	Ref ECD 00-213	C. Leiva	H. MA	mm
A6	7/09/01	Ref ECD 01-085	REVISED BY	CHECK DATE	DATE
A7	12/03/02	Ref ECD 02-136	T. Gokcek	12/04/02	3/4/98

KPJ-4S-S

DC Power Jack

4 position, Shielded

