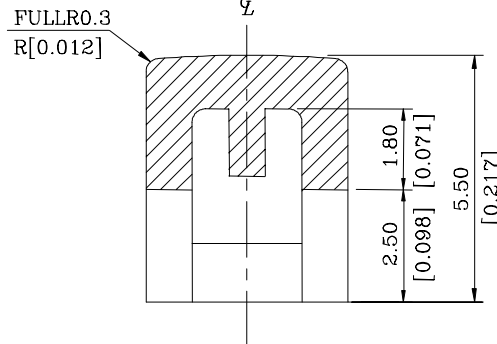
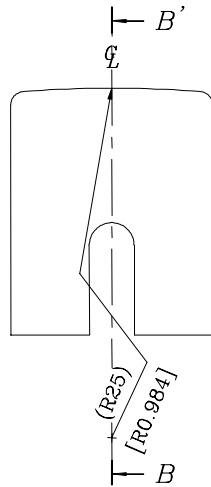
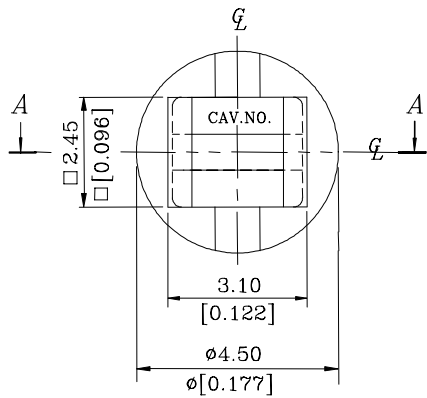


cypax

Industrivej 24
DK-7470 Karup
Tlf. +45 9710 1188
mail@cypax.com
www.cypax.com



SEC B-B'



SEC A-A'

NOTE:

1. GENERAL TOLERANCES MAX.±0.20mm.
- 2.

附 表 A	PART NO.	COLOR		TYPE
		Y	B	
△	KTSC-62	Y	黄色 (YELLOW)	圆形 (Circular)
		B	蓝色 (BLUE)	
		R	红色 (RED)	
		I	象牙色 (IVORY)	
		K	黑色 (BLACK)	
		G	绿色 (GREEN)	
		S	橙色 (SALMON) △	

ZONE	REV	DESCRIPTION	DATE	APPD.
△	D	修訂附表A增加橙色		
△	C	修訂附表A	09.04'98	楊豐富
△	B	修訂附表A	11.14'97	楊豐富
△	A	DWG.REL.	05.29'95	施教部

APPD:	Q'TY:	圓達實業股份有限公司 DIPTRONICS MANUFACTURING INC.	PART NAME:
CHKD:	SCALE: 10:1		CAP (DTSK TYPE) 6X6
DR:	REV: D	PART NO:	DWG NO:
DESIGN:	UNITS: mm	MAT'L: ABS	R D 5 P 6 K 4
		FINISH:	