



**POWER SUPPLY SPECIFICATION**

MODEL NO.	MW MB10EU	ISSUE DATE	2019-07-02 (Revised: 2020-02-06)
CUSTOMER	Minwa	REF. NO.	

**INPUT**

INPUT VOLTAGE	100 to 240 Vac
INPUT FREQUENCY	60 / 50 Hz
INPUT FULL LOAD CURRENT (at 100 Vac)	m A

**OUTPUT**

OUTPUT VOLTAGE (DC)	3.0 / 4.5 / 5.0 / 6.0 / 7.5 / 9.0 / 12.0V
OUTPUT CURRENT	1.0A max

**OVERALL PERFORMANCE**

TOTAL OUTPUT POWER	12.0W Max
NO LOAD POWER CONSUMPTION (@230V)	< 0.1W
AVERAGE ACTIVE EFFICIENCY	Min 69.5% (for 3.0V); Min 72.8% (for 4.5V); Min 73.6% (for 5.0V); Min 75.0% (for 6.0V); Min 77.0% (for 7.5V); Min 81.3% (for 9.0V); Min 83.0% (for 12.0V)
EFFICIENCY AT LOW LOAD (10%)	Min 65.0%

**PROTECTION**

■ OVER CURRENT PROTECTION	■ SHORT CIRCUIT PROTECTION
■ OVER VOLTAGE PROTECTION	■ L.P.S (Limits for power source)
■ OVER POWER PROTECTION	□ AUTOMATIC THERMAL PROTECTION

**HI-POT**

INPUT TO OUTPUT	3000Vac 5 mA 50 Hz
INPUT TO CASE	3000Vac 5 mA 5Hz
OUTPUT TO CASE	500 Vac 5 mA 50Hz
ISOLATION RESISTANCE	100 M Ohms I/P-O/P I/P/Enclosure
APPLIANCE	Class II

**ENVIRONMENTAL**

OPERATING TEMPERATURE	0 °C to 25 °C
STORGE TEMPERATURE	-20 °C to 60 °C
OPERATING HUMIDITY	20%-85% RH. NON-CONDENSING
STORGE HUMIDITY	10%-90% RH. NON-CONDENSING

**SAFFTY STANDARDS**

SAFETY STANDARDS	EN 62368-1:2014+ A11:2017
EMC STANDARDS	EN 61204-3:2000

**RELIABILITY**

MTBF	30000 Hours min
BURN-IN	4 Hours 25°C, full load, 220Vac, 50Hz

**MECHANICAL SPECIFICATION**

DIMEMSION	76.5 mm(L) x 42.4 mm(W) x 35mm(H) (exclude plug) 76.5 mm(L) x 42.4 mm(W) x 72.3mm(H) (include plug)
WEIGHT	g MAX exclude packing
INPUT PLUG	Direct plug-in EU type

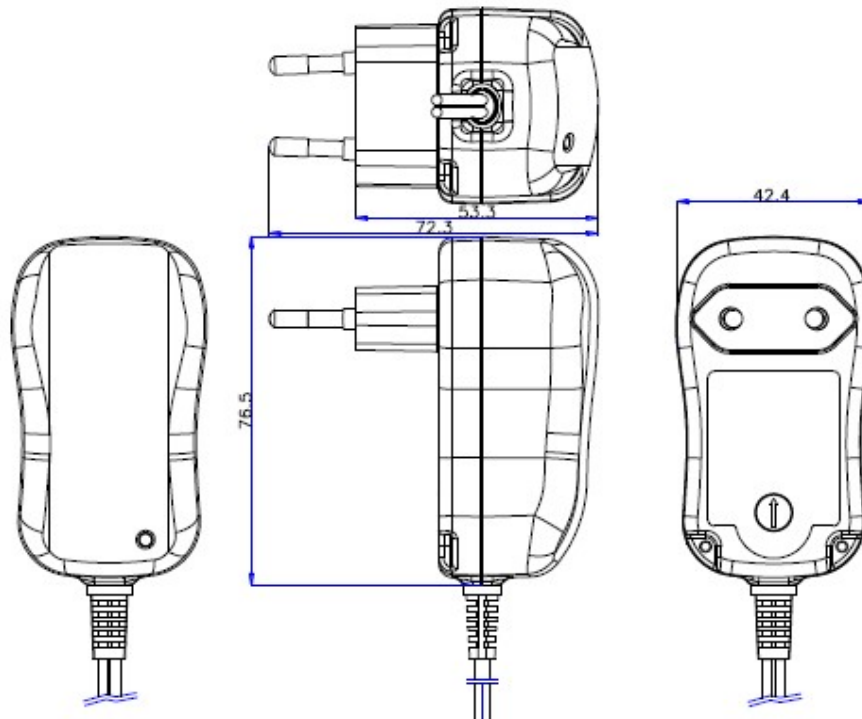


**POWER SUPPLY SPECIFICATION**

MODEL NO.	MW MB10EU	ISSUE DATE	2019-07-02 (Revised: 2020-02-06)
CUSTOMER	Minwa	REF. NO.	

OUTPUT CORD	PVC, Length 1.8m
OUTPUT PLUG	Depends on client request

**Appearance**



**APPROVE:**

**AUDITING:**

**CONNER:**