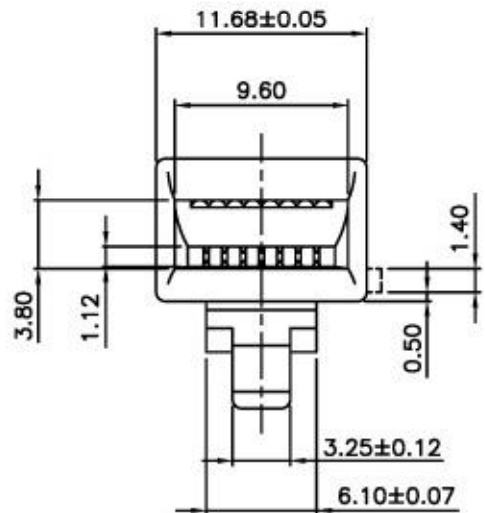
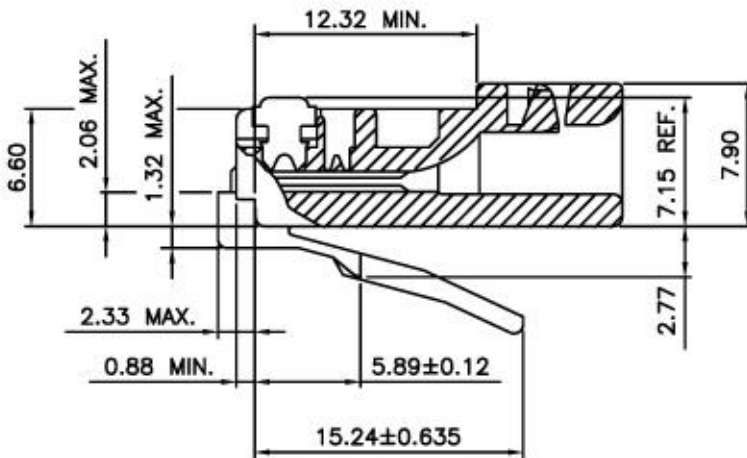
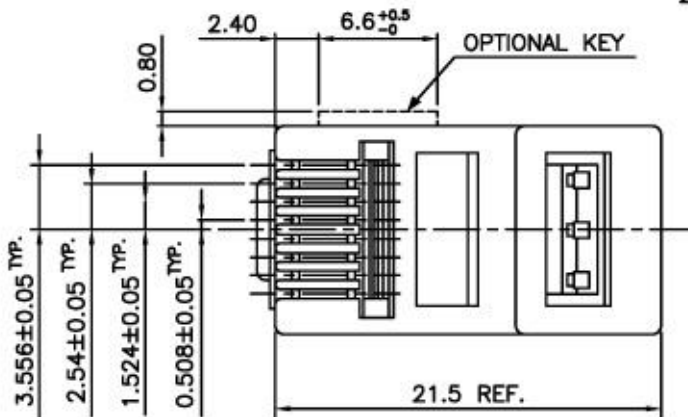
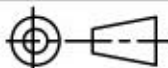


NOTES :

REF.: 302-025

- MATERIAL-HOUSING : POLYCARBONATE UL 94-V0 OR 94-V2, CLEAR.
-CONTACTS : PHOSPHOR BRONZE 0.35 THK.
- PLATE-GOLD PLATED ON CONTACT AREA OVER 100 MICRINCH MIN. NICKEL UNDERPLATE OVERALL.



X.±	X°.±	UNITS	MM	NAME	Shallin Electronics Co., Ltd.										
.X±	0.15	.X±	MAT'L	PART No.	TITLE 8P8C MODULAR PLUG FOR FLAT OVAL CABLE										
.XX±	0.1	.XX±	SEE NOTES												
.XXX±	.XXX±	FINISH	----	APPD	P. W. LIAO	DATE	03/09/'07	DWG No.	X98088						
THESE DRAWINGS AND SPECIFICATIONS ARE THE PROPERTY OF SIN CHIN CO., LTD. AND SHALL NOT BE REPRODUCED COPIED OR USED IN ANY MANNER WITHOUT THE PRIOR WRITTEN CONSENT OF SIN CHIN CO., LTD.			TREAT	CHKD	P. W. LIAO	DATE	03/09/'07								
			Q'TY	DR	W. J. WU	DATE	03/09/'07	 <table border="1"> <tr> <td>SCALE</td> <td>SHEET</td> <td>REV.</td> </tr> <tr> <td>N/A</td> <td>A4</td> <td>1/1</td> </tr> </table>		SCALE	SHEET	REV.	N/A	A4	1/1
SCALE	SHEET	REV.													
N/A	A4	1/1													