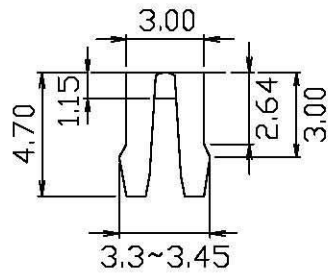
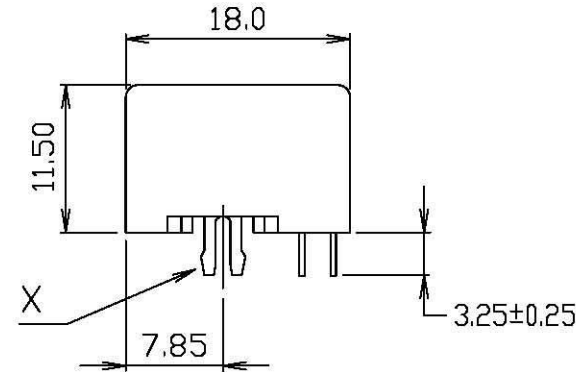
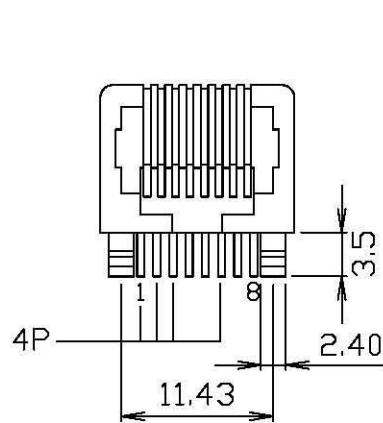
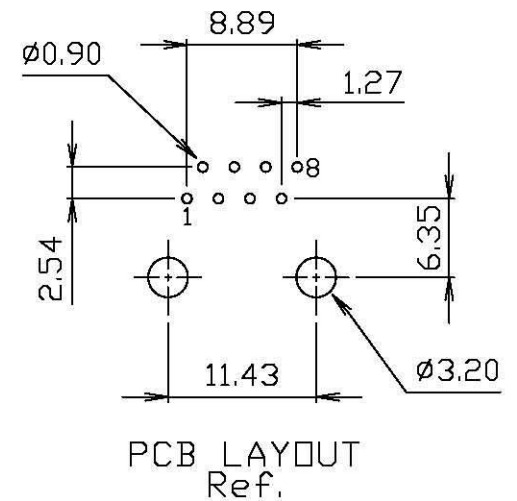
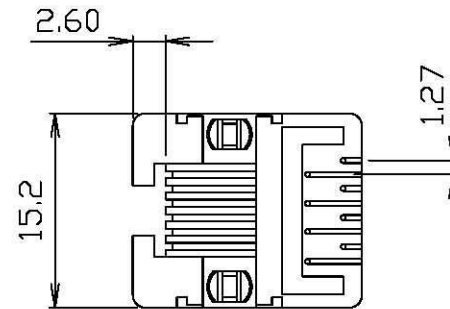


RoHS Compliance

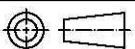
- HOUSING—PBT POLYESTER UL94V-0 MIXED GLASS FIBER, STANDARD COLOR—BLACK
- CONTACTS—0.45mm DIAMETER PHOS-BRONZE PLATED WITH GOLD FLASH, CAVITY CONFIRMS TO FCC RULES AND REGULATIONS PART 68,SUBPART F.



DETAIL X



SHALLIN ELECTRONICS CO., LTD.

DO NOT SCALE DRAWING	TOLERANCES UNLESS OTHERWISE NOTED	INCH	MM	DR. <i>S.J.CHENG</i>	DATE MAR-23 '06					
	LINEAR	$\frac{\text{MM}}{\text{INCH}}$	$\frac{00 \pm .01}{000 \pm .005}$ $\frac{0.0 \pm 0.25}{0.00 \pm 0.13}$ $\frac{0.000 \pm .002}{0.000 \pm 0.05}$	CK'D <i>M.CHANG</i>	MAR-23 '06	TITLE		RJ45, SIDE ENTRY VERY LOW PROFILE, PCB JACK		
MM INCH	ANGLE $\pm 0^\circ 30'$	RADII	$\frac{+ 0.40}{- 0.15}$	APP'D <i>W.J.YANG</i>	MAR-23 '06	SCALE	SIZE	DWG.NO. X98289	REV. 4	SHEET 1