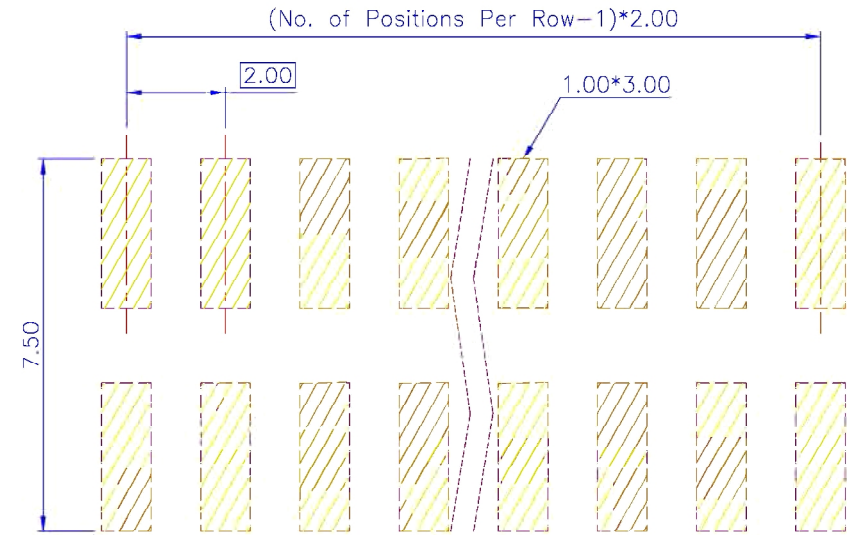
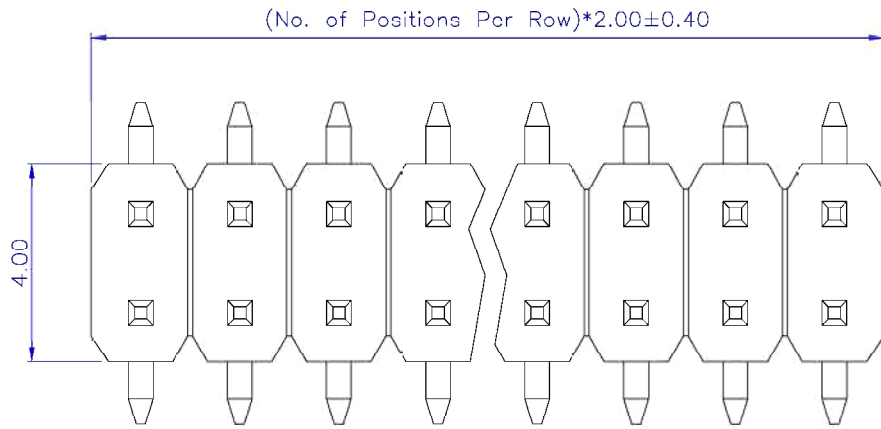
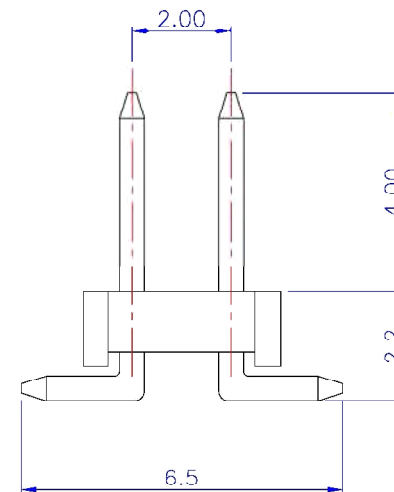
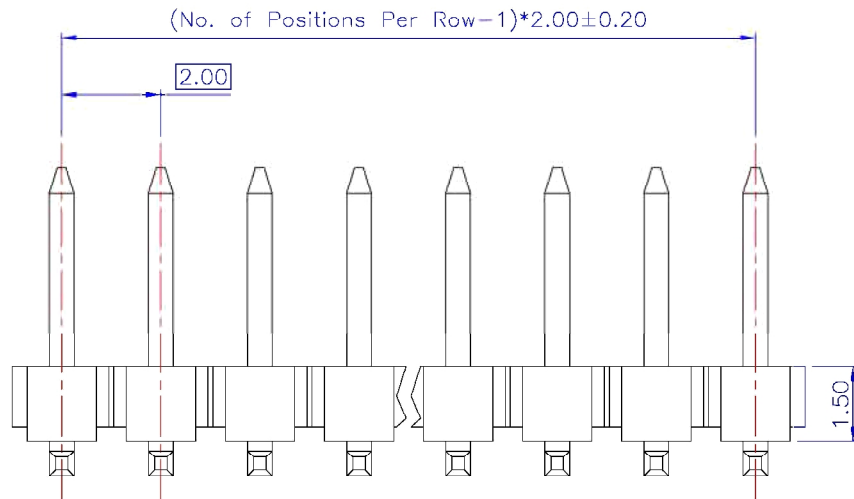


Rev.	Date	Description
A	2008/01/21	New Drawing



PCB Layout
(Top View)



SHALLIN ELECTRONICS CO., LTD.

Material and Finish

1. Housing: Hi.-Temp. Plastic (UL94V-0), Black.
2. Terminal: Sq. 0.50mm Copper Alloy, Gold Plating.

Electrical Characteristics

1. Current Rating: 1.0 Amp. Max.
2. Dielectric Withstand Voltage: 800V AC RMS for 60Seconds.
3. Insulation Resistance: 1000M Ohms Min. at 500V DC.

Mechanical Characteristics

1. Operating Temperature: -55°C ~ +105°C

Tolerance	Scale	Unit	Drawn By	Checked By	Approved By
0.0 ±0.30	1:1	mm	ASD	Anika	Alex
0.00 ±0.20					
0.00 ±0.10					

Title
**2.00mm Post Header
 PCB Surface Mount Type
 Dual Rows, Without Post**