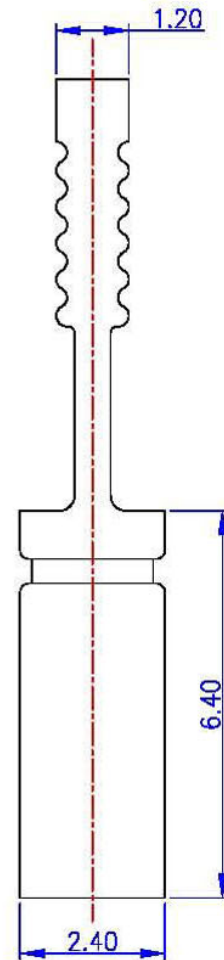
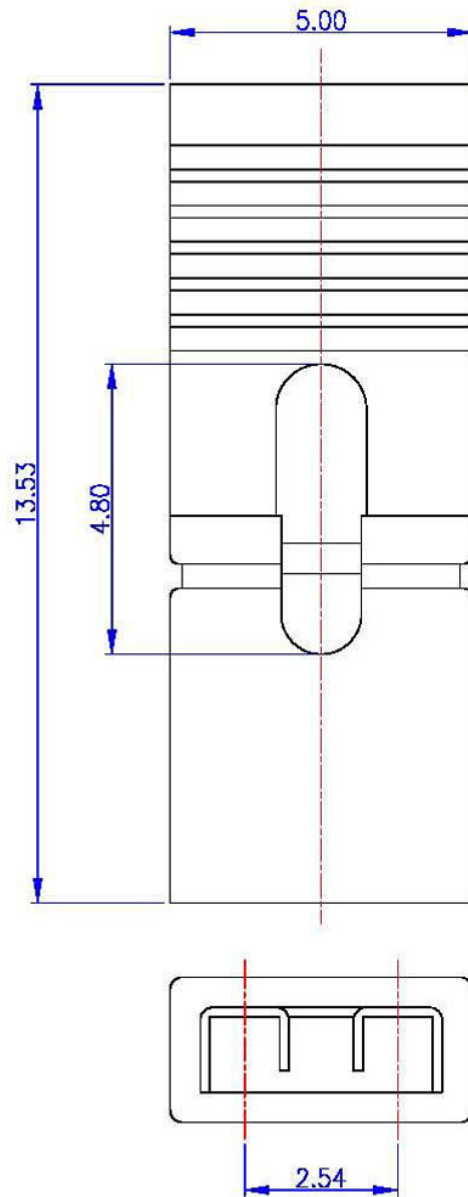


Rev.	Date	Description
A	2005/01/31	New Drawing
B	2005/04/26	Modify
C	2005/12/05	Modify P/N



YT9254E

**SHALLIN ELECTRONICS
CO., LTD.**

Material and Finish

1. Housing: Thermoplastic (UL94V-0).
2. Terminal: Brass, Gold Plating.

Electrical Characteristics

1. Current Rating: 3.0Amp. Max.
2. Contact Resistance: 30m ohms Max.

Mechanical Characteristics

1. Operating Temperature: -55°C ~ +105°C

Reference	Dim	Unit	Drawn By	Checked By	Approval By
0.0	±0.30	mm	Jae	Baby	Moo
0.00	±0.20				
0.000	±0.10				

2.54mm Mini Jumper
Open Type (13.50mm)