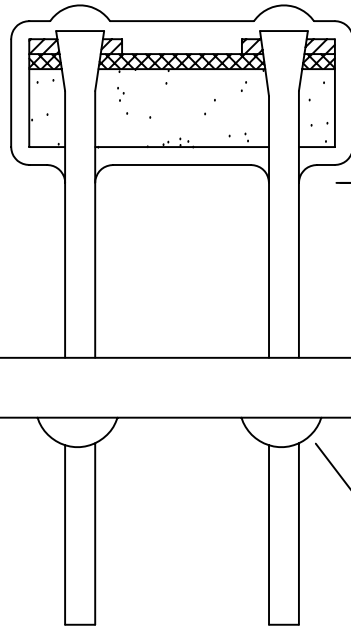
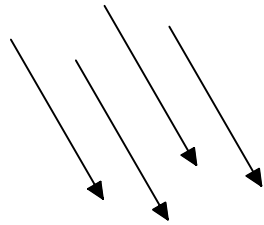


Sunlight fall on sensitive surface is not recommended.



3max.

at least 5mm recommended

PCB

**Soldering fast and not too near from head of photoresistor**