



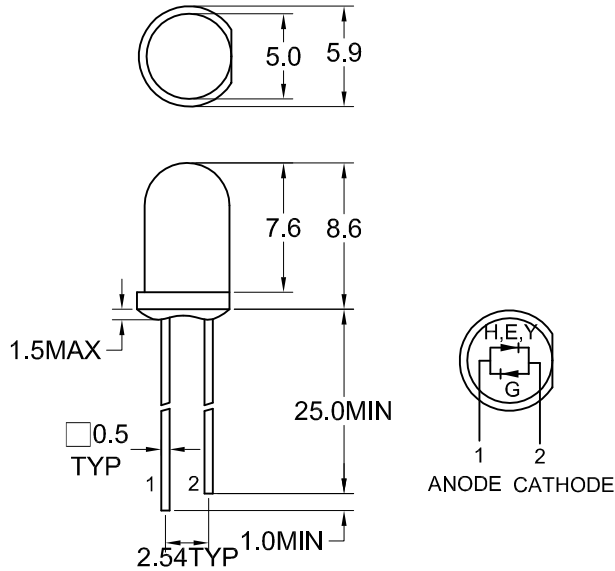
LIGITEK

BIPOLAR TYPE LED LAMPS

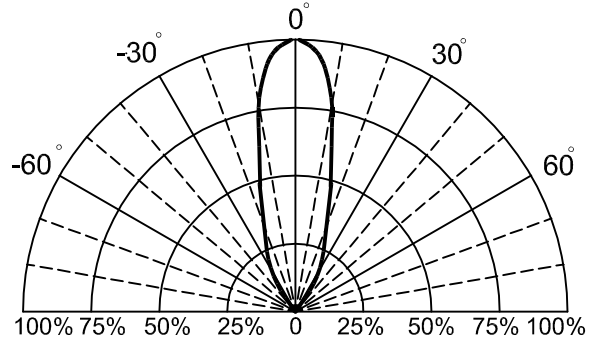
LXX3362

SERIES

Package Dimension



Directivity Radiation



Note: 1. All dimension are in millimeter tolerance is $\pm 0.25\text{mm}$ unless otherwise noted
2. Specifications are subject to change without notice

• Part Selection And Application Information (Ratings At 25°C Ambient)

PART NO	MATERIAL	COLOR		Peak wave length λ_{Pnm}	Spectral halfwidth $\Delta \lambda \text{ nm}$	Forward voltage @20mA(v)		Luminous intensity @10mA(mcd)		Viewing angle $2\theta_{c1/2}$ (deg)
		Emitted	Lens			Min.	Max.	Min.	Typ.	
LHG3362	GaP	Red	White Diffused	697	90	1.7	2.6	1.2	2.0	30
	GaP	Green		565	30	1.7	2.6	4.5	8.0	30
LYG3362	GaAaP/GaP	Yellow	White Diffused	585	35	1.7	2.6	4.5	7.0	30
	GaP	Green		565	30	1.7	2.6	4.5	8.0	30
LEG3362	GaAaP/GaP	Orange	White Diffused	635	45	1.7	2.6	4.5	7.5	30
	GaP	Green		565	30	1.7	2.6	4.5	8.0	30
LYY3362	GaAaP/GaP	Yellow	White Diffused	585	35	1.7	2.6	4.5	7.0	30
	GaAaP/GaP	Yellow		585	35	1.7	2.6	4.5	7.0	30

• Absolute Maximun Rating (Ta=25°C)

PARAMETER	RED		GREEN		YELLOW		ORANGE		UNIT	REMARK
		H		G		Y		E		
Forward Current		15		30		20		30	mA	
Peak Forward Current Duty 1/10@10KHz		60		120		80		120	mA	
Power Dissipation	40		100		60		100		mW	
Reverse Current @5v	10		10		10		10		μA	
Operating Temperature	-40°C TO +85°C									
Storage Temperature	-40°C TO +100°C									

Lead Soldering Temperature 260°C For 5 Seconds(2.0mm From Body)

文件編號: QW0905-LXX3362B

版本: C

生效日期: 12 - Feb - 2003